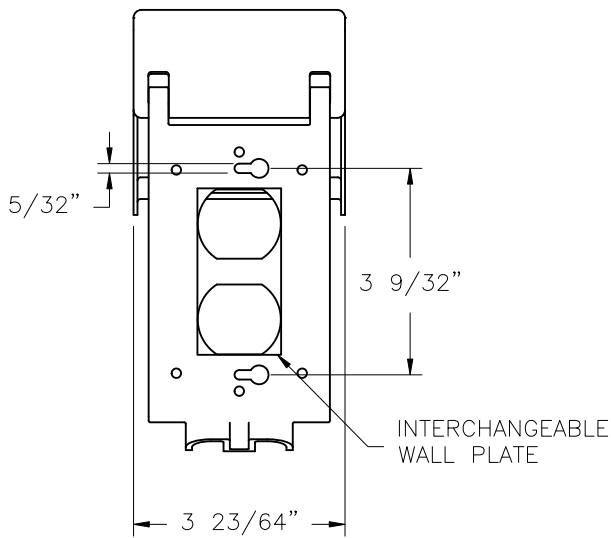
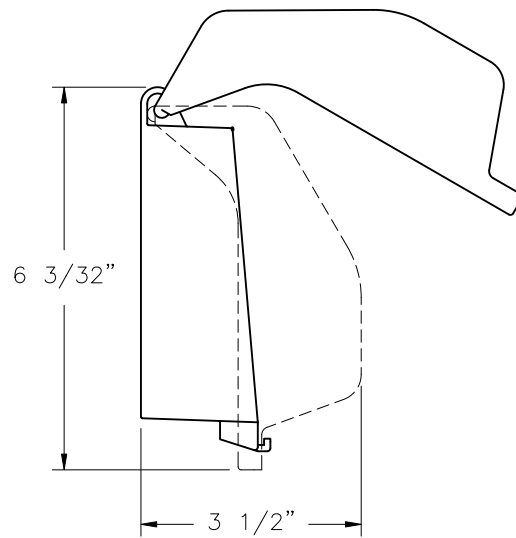


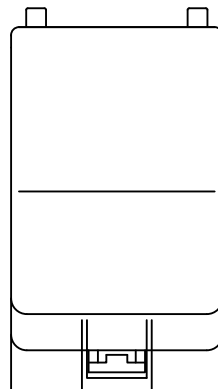
ISOMETRIC VIEW



REAR VIEW



SIDE VIEW



FRONT VIEW

REVISIONS:

--

Drawing for illustration only - scale approximate

<p>PH: (717) 632-6464 - FAX: (717) 969-2930 WWW.HANOVERLANTERN.COM</p>			TITLE: <b>ALUMINUM          WHILE-IN-USE          COVER</b>
SCALE: <b>B2</b>	DATE: <b>07/07/21</b>	DWG BY: <b>ATV</b>	DWG. NO. <b>014M</b>