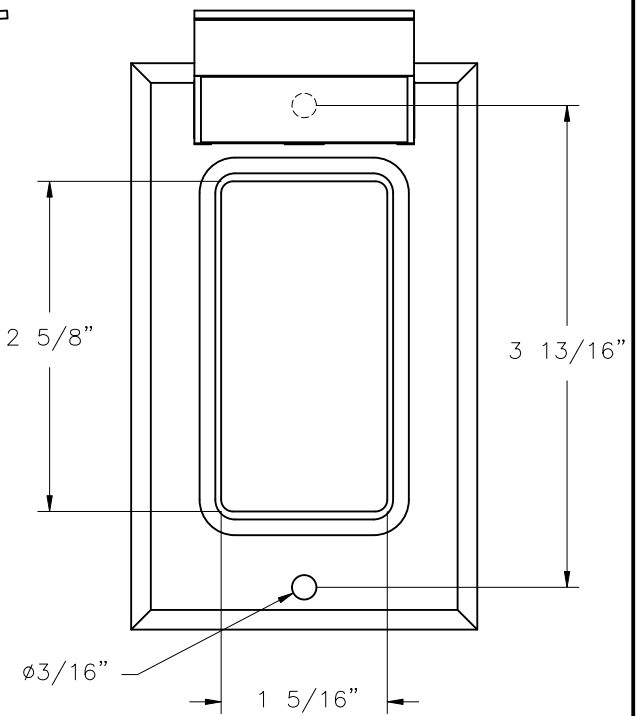
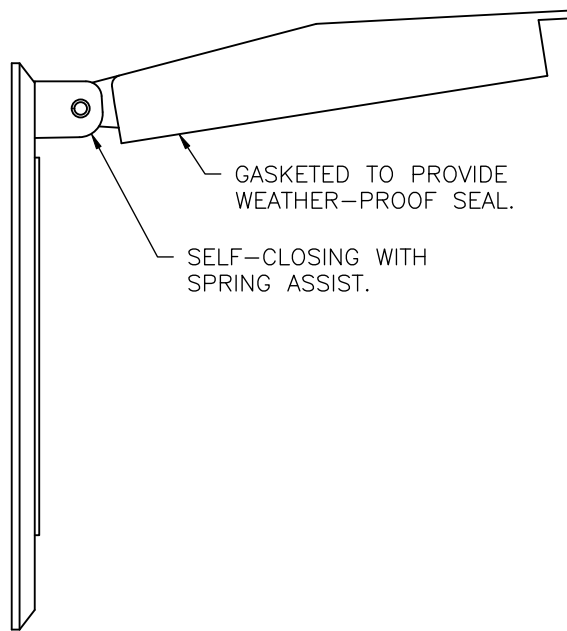


CLOSED



OPEN

REVISIONS:

--

Drawing for illustration only - scale approximate

**Hanover**  
LANTERN  
PH: (717) 632-8464 - FAX: (717) 969-2930  
WWW.HANOVERLANTERN.COM

TITLE:  
**NON IN-USE  
GFCI METAL  
OUTLET COVER**

SCALE: B1	DATE: 08/04/21	DWG BY: ATV
--------------	-------------------	----------------

DWG. NO.  
**015**