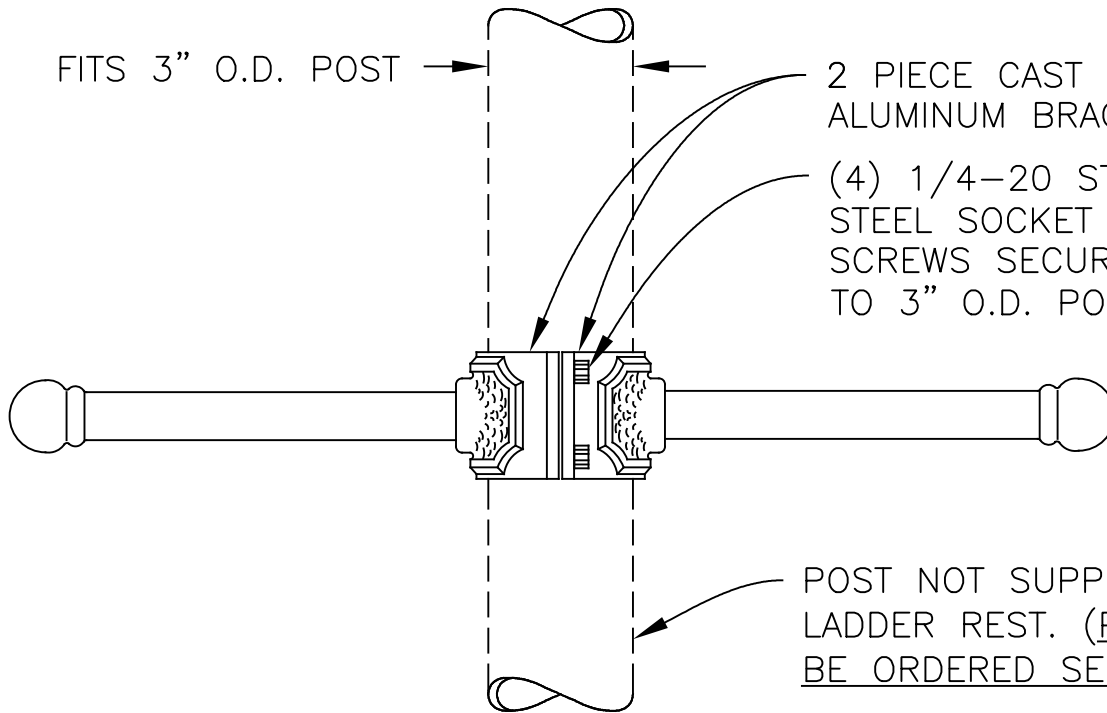


FITS 3" O.D. POST



2 PIECE CAST ALUMINUM BRACKET.

(4) 1/4-20 STAINLESS STEEL SOCKET HEAD SCREWS SECURE BRACKET TO 3" O.D. POST.

POST NOT SUPPLIED WITH LADDER REST. (POST MUST BE ORDERED SEPARATELY).

Drawing for illustration only – scale approximate

HEIGHT	2 1/2"	APPROVAL SIGNATURE:
WIDTH	23 1/8"	FINISH: _____
PROJECTION	XXXXXX	PANELS: _____
TOP TO OUTLET	XXXXXX	OPTIONS: _____

Hanover
LANTERN

425 E. MIDDLE ST. HANOVER PA 17331
PH: (717) 632-6464 - FAX: (717) 969-2930

SCALE: 1=4 DATE: 08/18/97 DWG BY: BLL

TITLE:	2 PIECE WRAP AROUND LADDER REST FOR 3" DIA. POST
DWG. NO.	032