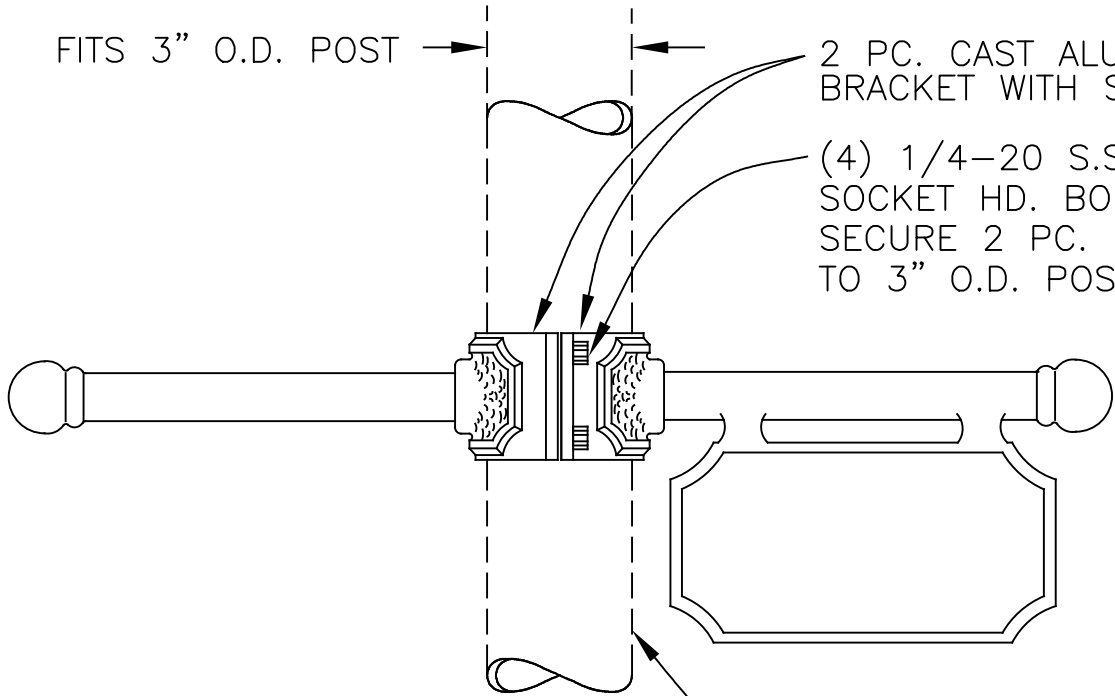


FITS 3" O.D. POST




2 PC. CAST ALUMINUM BRACKET WITH SIGN.

(4) 1/4-20 S.ST'L. SOCKET HD. BOLTS SECURE 2 PC. BRACKET TO 3" O.D. POST

POST NOT SUPPLIED WITH LADDER REST (POST MUST BE ORDERED SEPARATELY)

Drawing for illustration only – scale approximate

HEIGHT	6 1/2"	APPROVAL SIGNATURE:
WIDTH	23"	FINISH: _____
PROJECTION	XXXXXX	PANELS: _____
TOP TO OUTLET	XXXXXX	OPTIONS: _____



425 E. MIDDLE ST. HANOVER PA 17331  
 PH: (717) 632-6464 - FAX: (717) 969-2930

SCALE:	DATE:	DWG BY:
1=4	08/18/97	BLL

TITLE:
LADDER REST WITH SIGN AND SINGLE FLOWER POT HOLDER
DWG. NO.
033