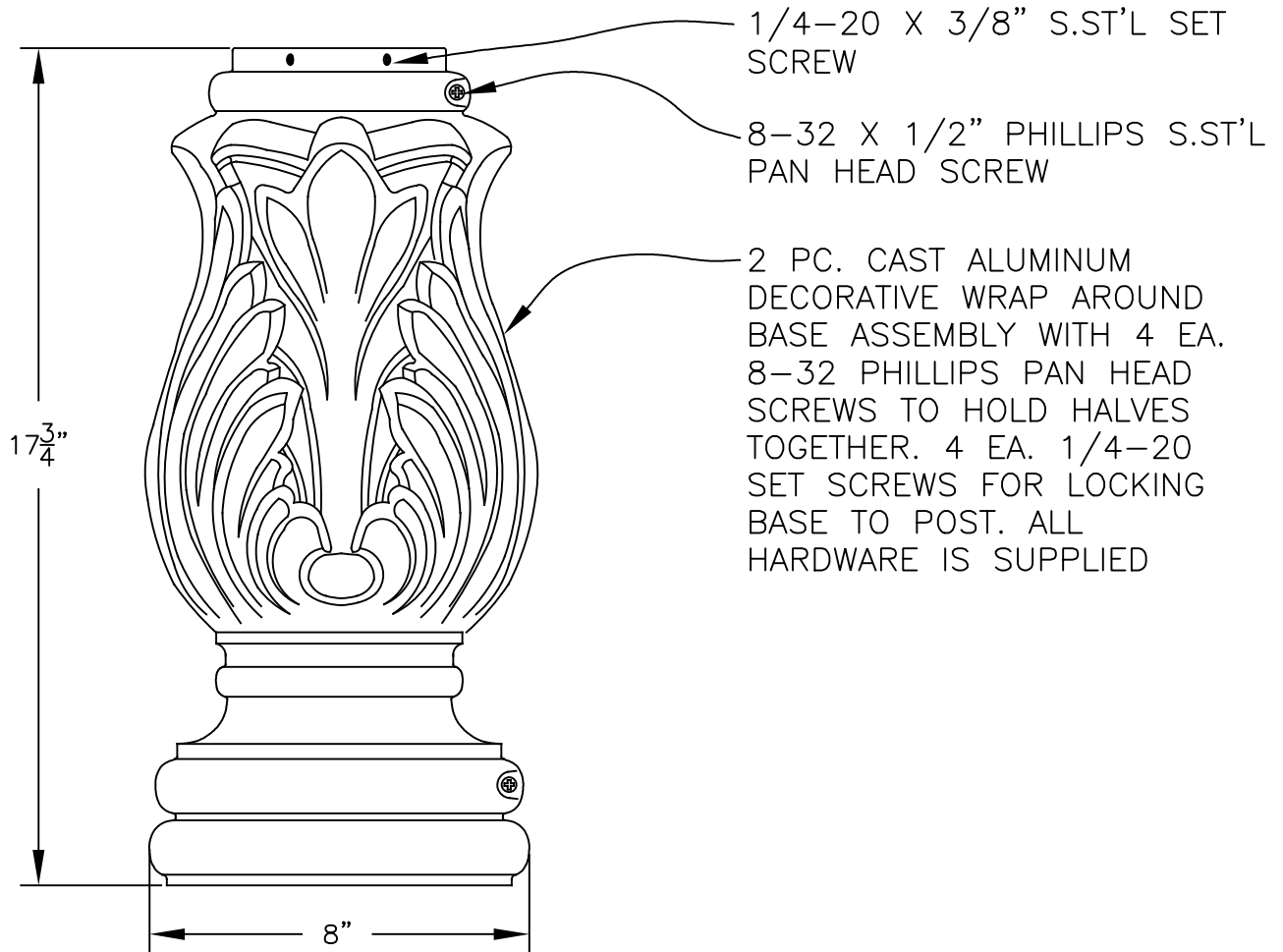



BASE CAN BE USED WITH ANY
4" DIA. DIRECT BURIAL POST



Drawing for illustration only - scale approximate

HEIGHT	17 3/4	APPROVAL SIGNATURE:
WIDTH	8" DIA.	FINISH: _____
PROJECTION		PANELS: _____
TOP TO OUTLET		OPTIONS: _____

 <p>425 E. MIDDLE ST. HANOVER PA 17331 PH: (717) 632-6464 - FAX: (717) 969-2930</p>		
SCALE: 1=4	DATE: 08/22/97	DWG BY: BLL

TITLE: DEC. 2 PC. CAST ALUM. LEAF WRAP AROUND BASE
DWG. NO. 135-4