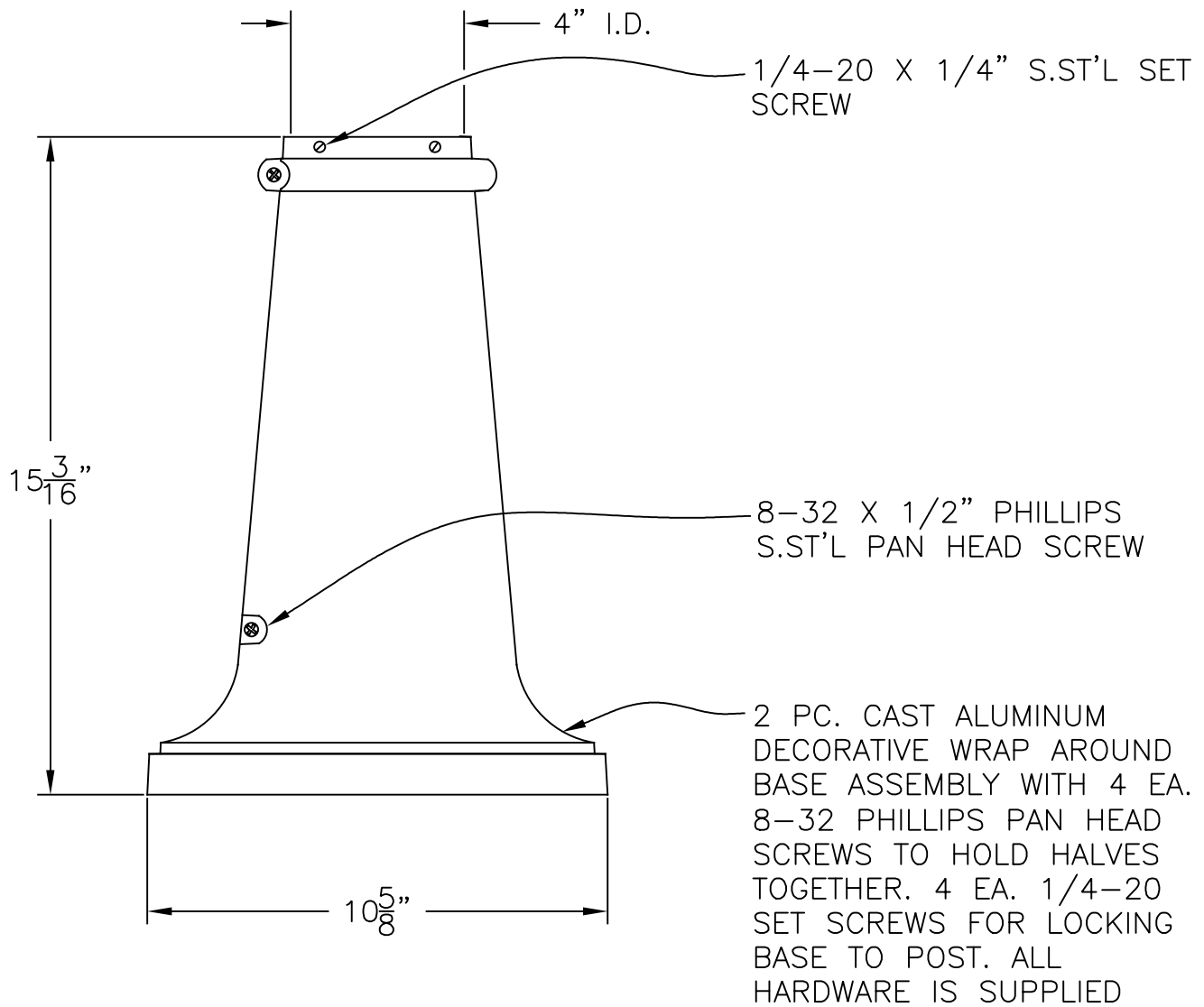



BASE CAN BE USED WITH ANY  
4" DIA. DIRECT BURIAL POST



Drawing for illustration only - scale approximate

HEIGHT	15-3/16"	APPROVAL SIGNATURE:	 <p>425 E. MIDDLE ST. HANOVER PA 17331 PH: (717) 632-6464 - FAX: (717) 969-2930</p>	TITLE:	CONTEMPARY 2 PC. CAST ALUMINUM WRAP AROUND BASE	
WIDTH	10-5/8"	FINISH: _____		SCALE:	DATE:	DWG. NO.
PROJECTION	XXXXXX	PANELS: _____	1=4	10/13/97	TLS	136-4
TOP TO OUTLET	XXXXXX	OPTIONS: _____				