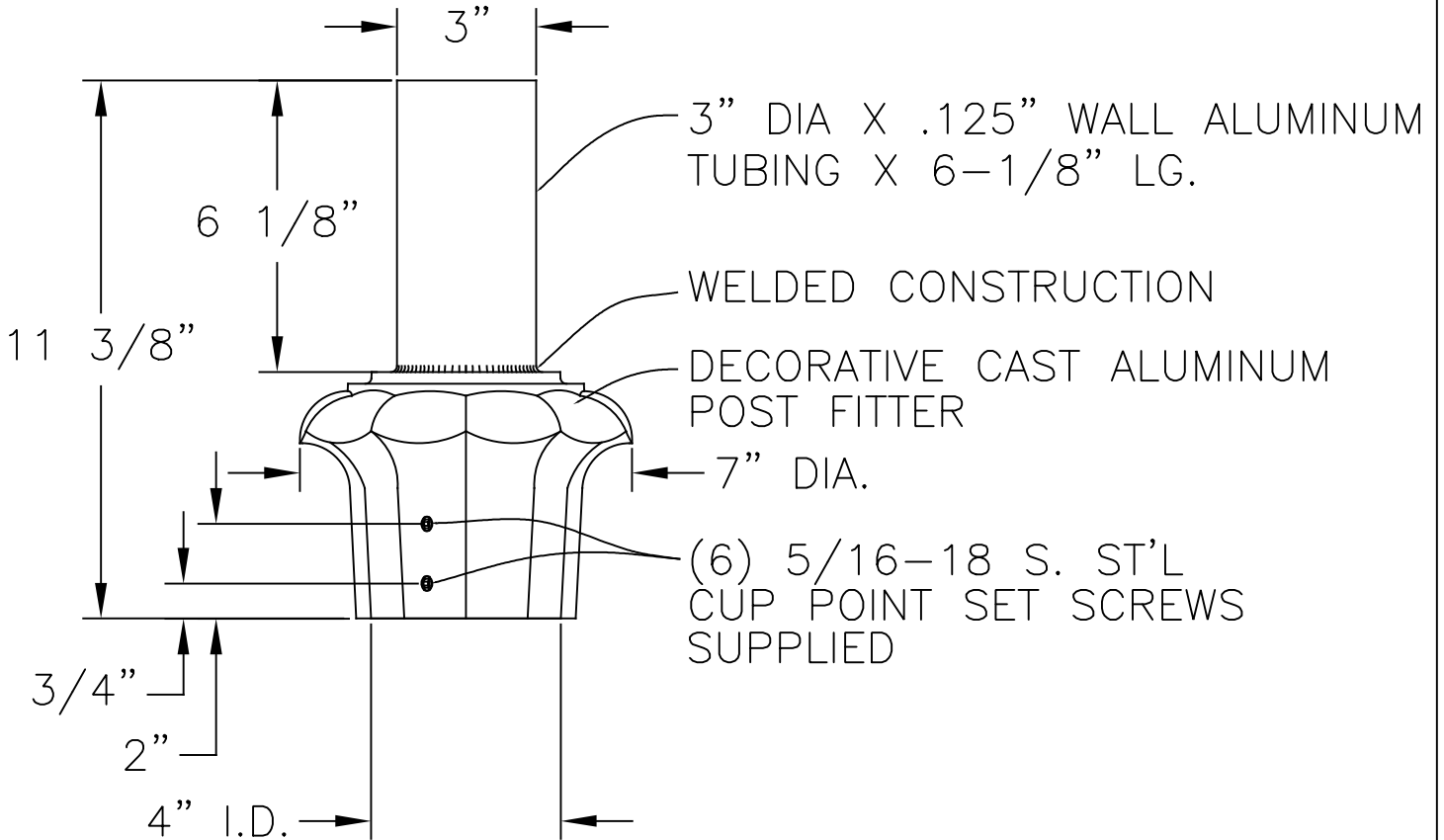



NOTE:

TENON BELOW MAY BE USED WITH THE FOLLOWING LANTERNS:

1230	1630	1732BP	8438BP
1230EM	1630BI	1734BP	9838BP
1230BP	1630B2	7230	
1238BP	1630BP	7230PL	
1238RH	1630BZ	7239BP	
1430	1630EM	7330	
1430BP	1630RH	7330PL	
1439BP	1732	7339BP	



Drawing for illustration only - scale approximate

HEIGHT	11 3/8"	APPROVAL SIGNATURE:		TITLE:	4" DIA. TO 3" DIA. POST TOP TENON WITH EXTENSION
WIDTH	7"	FINISH: _____		425 E. MIDDLE ST. HANOVER PA 17331 PH: (717) 632-6464 - FAX: (717) 969-2930	
PROJECTION	XXXXXX	PANELS: _____	SCALE:	DATE:	DWG BY:
TOP TO OUTLET	XXXXXX	OPTIONS: _____	1=4	12/31/01	JEK
			DWG. NO.		20-EXT