

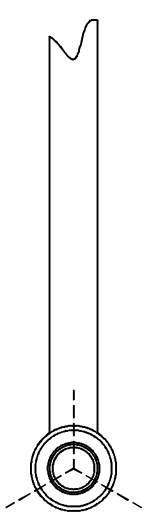
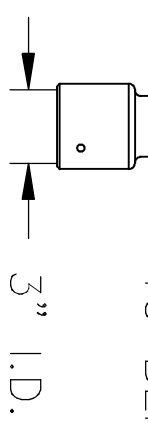
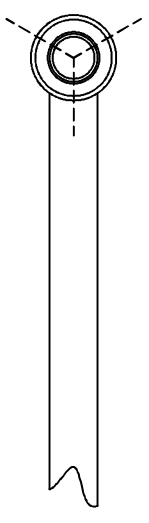
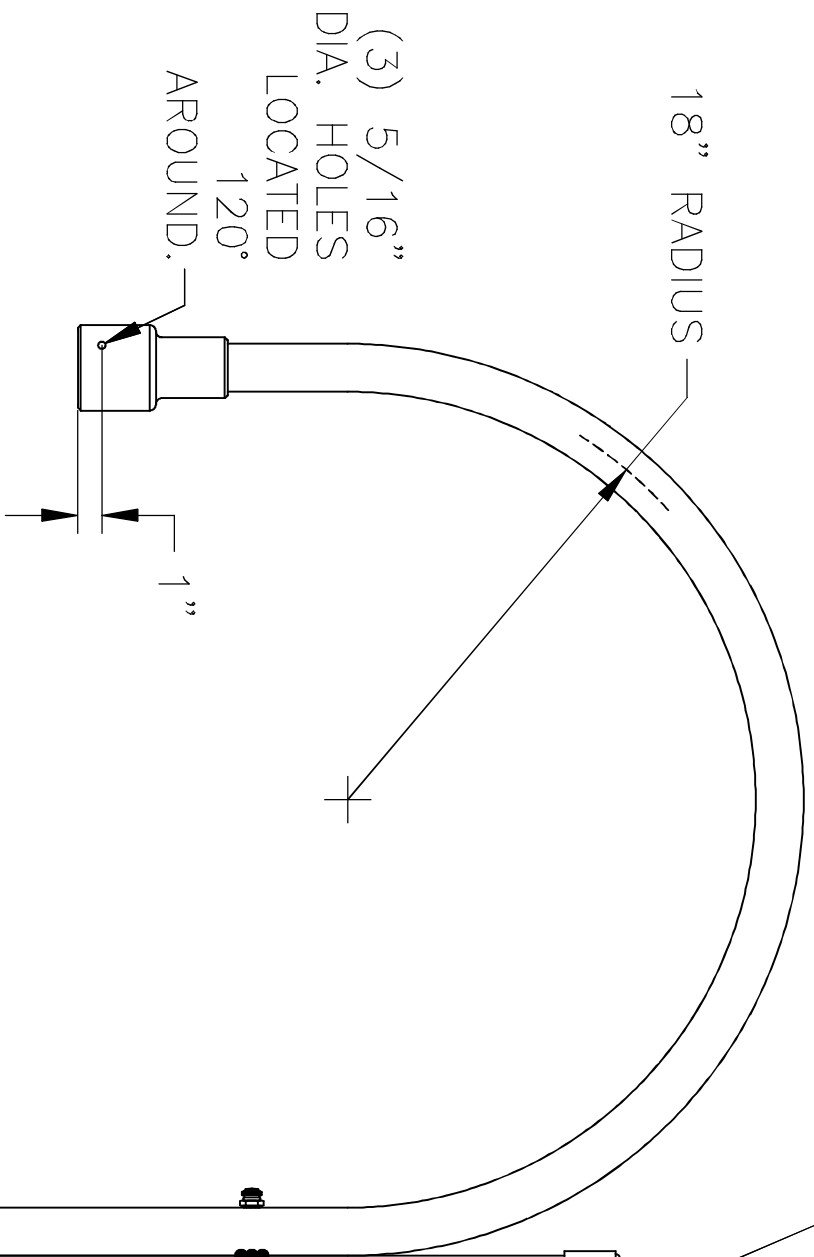
DECORATIVE CAST ALUMINUM POST CAP WITH TURNED ALUMINUM BALL FINIAL. S.ST'L. SET SCREWS SUPPLIED FOR LOCKING ASSEMBLY TO CENTER HUB.

2" DIA. X .125" WALL ALUMINUM TUBING WELDED TO 3" DIA. X .125" WALL CENTER ALUMINUM HUB.

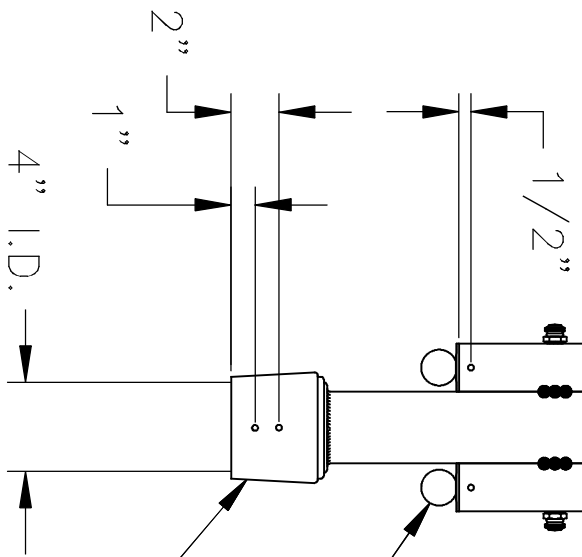
CAST ALUMINUM 2" X 3" SPLICING FITTER WELDED TO BENT ARM.

CAST ALUMINUM END CAPS WITH TURNED ALUMINUM BALL KNOBS. S.ST'L. SET SCREWS SUPPLIED FOR LOCKING END CAPS TO BENT ARM.

CAST ALUMINUM POST FITTER FOR 4" DIA. POST. (6) 5/16-18 S.ST'L. SET SCREWS SUPPLIED FOR LOCKING ASSEMBLY TO POST OR TENON.



NOTE:
1. WIRE AND WIRE NUTS SUPPLIED FOR ATTACHING TO LANTERN AND INCOMING POWER SUPPLY.



Drawing for illustration only - scale approximate

Hanover
LANTERN, inc.
350 KINDIG LANE HANOVER PA 17331
PH: (717) 632-6464 - FAX: (717) 632-5039

SCALE: 1=8 DATE: 04/11/12 DWG BY: TLS

TITLE: DOUBLE BENT ARM POST TOP BRACKET ASSEMBLY

DWG. NO. 246-2

HEIGHT	52 1/2"
WIDTH	80"
PROJECTION	
TOP TO OUTLET	