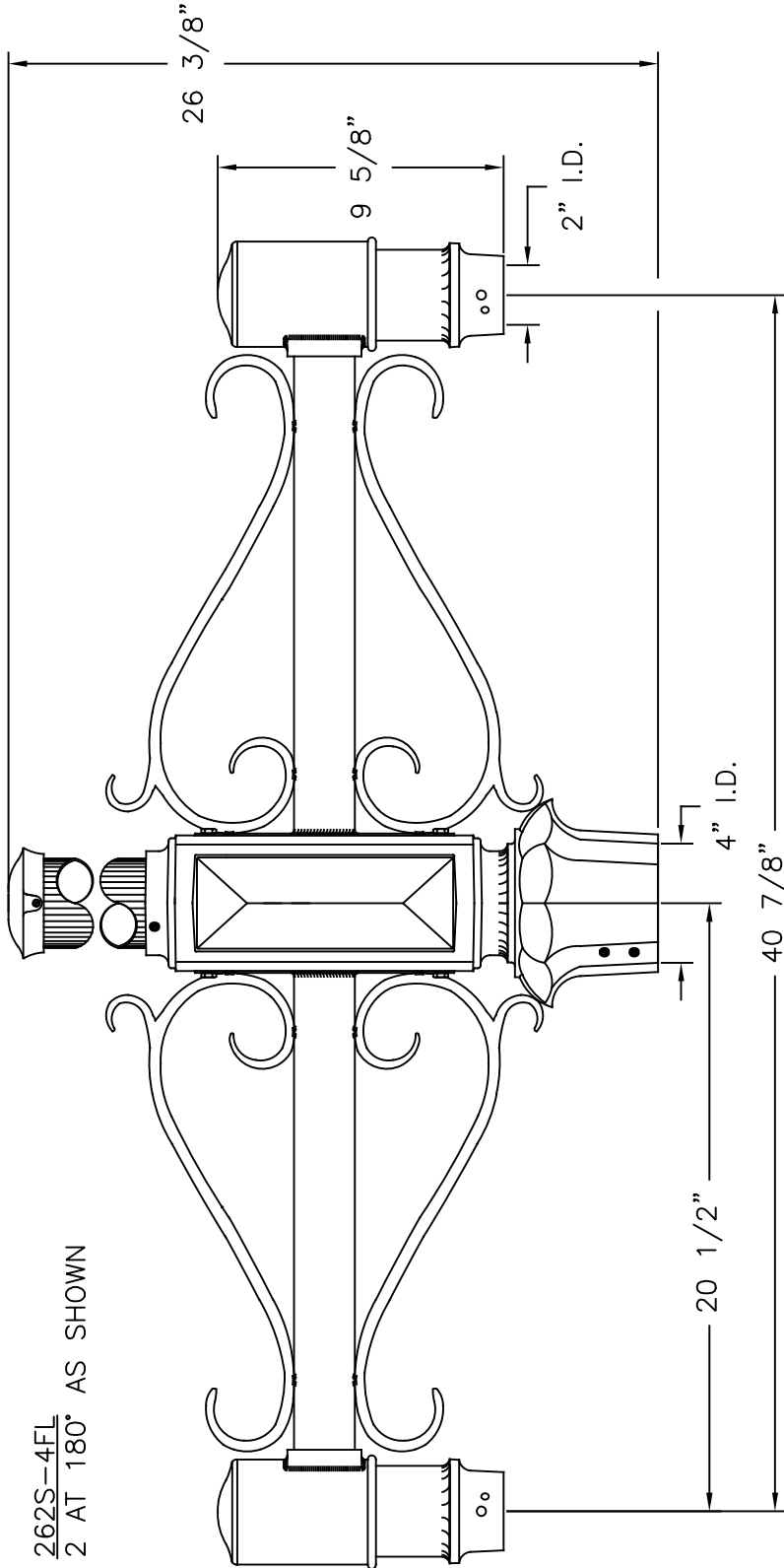
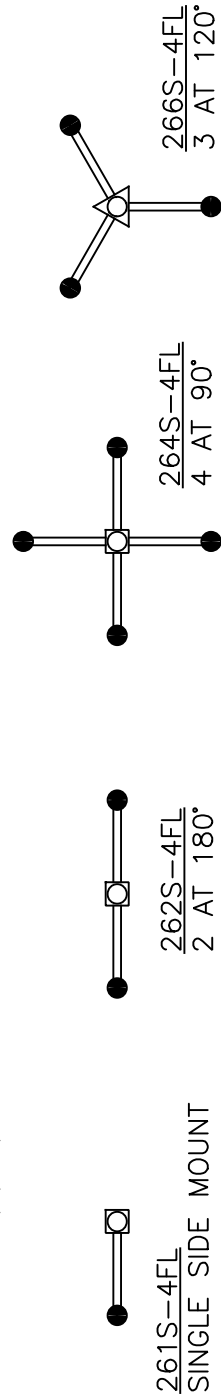


262S-4FL
2 AT 180° AS SHOWN



BRACKET ASSEMBLY SHOWN ABOVE CONSISTS OF EXTRUDED ALUMINUM BRACKET ARMS WITH DECORATIVE SCROLLS SECURELY WELDED TO CAST ALUMINUM CENTER HUB AND 2" I.D. FITTER, 3" DIA. ALUMINUM POST SECURELY WELDED TO CENTER HUB. REMOVABLE CAST ALUMINUM CAP SECURES TO TOP POST WITH (1) 1/4-20 S.ST'L. SET SCREW. (6) 5/16-18 S.ST'L. SET SCREWS SECURE ASSEMBLY TO 4" DIA. FLUTED POST OR TENON.



BRACKET ASS'Y	261S-4FL	262S-4FL	266S-4FL	264S-4FL
HEIGHT	26 3/8"	26 3/8"	26 3/8"	26 3/8"
WIDTH	25"	44 3/4"	39 1/4"	44 3/4"

Hanover
LANTERN

425 E. MIDDLE ST. HANOVER PA 17331
PH: (717) 632-9464 - FAX: (717) 699-2930

SCALE: 1=4 DATE: 02/12/03 DWG BY: ATV

TITLE: POST TOP BRACKET ASSEMBLIES
4" FLUTED MOUNT

DWG. NO. 261S-4FL THRU 266S-4FL

Drawing for illustration only - scale approximate