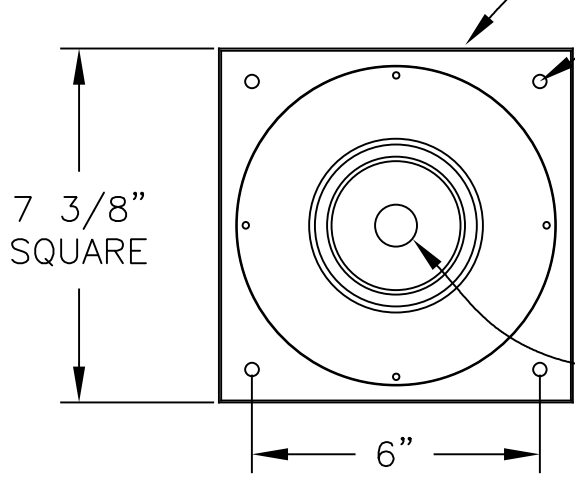


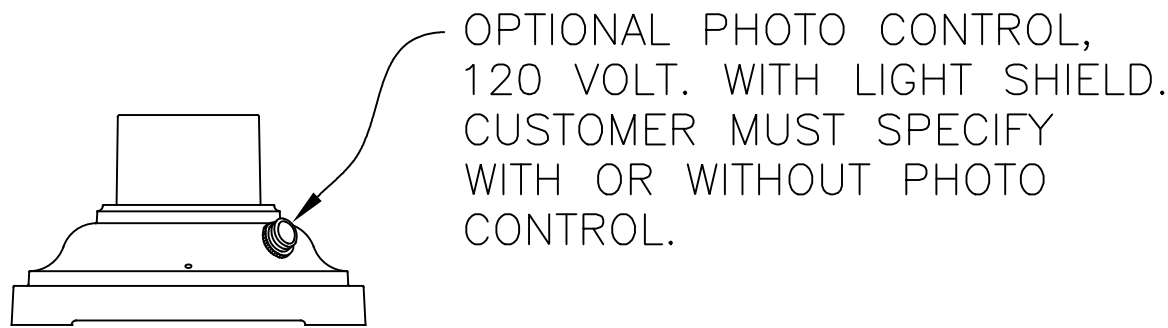
3" I.D. CAST ALUMINUM POST FITTER SLIPS OVER PIER BASE TENON. (FITTER IS NOT SUPPLIED WITH PIER BASE.)

CAST ALUMINUM PIER BASE.




FOUR 9/32" DIA. MOUNTING HOLES. 4 STAINLESS STEEL 1/4" X 2" LONG LAG SCREWS WITH SHIELDS PROVIDED.

7/8" DIA. WIREWAY.



OPTIONAL PHOTO CONTROL, 120 VOLT. WITH LIGHT SHIELD. CUSTOMER MUST SPECIFY WITH OR WITHOUT PHOTO CONTROL.

Drawing for illustration only – scale approximate

HEIGHT	4 3/8"	APPROVAL SIGNATURE:		TITLE:	PIER BASE
WIDTH	7 3/8"	FINISH: _____		425 E. MIDDLE ST. HANOVER PA 17331 PH: (717) 632-6464 - FAX: (717) 969-2930	
PROJECTION	XXXXXX	PANELS: _____	SCALE:	DATE:	DWG BY:
TOP TO OUTLET	XXXXXX	OPTIONS: _____	1=4	07/26/07	TLS
			DWG. NO.		400