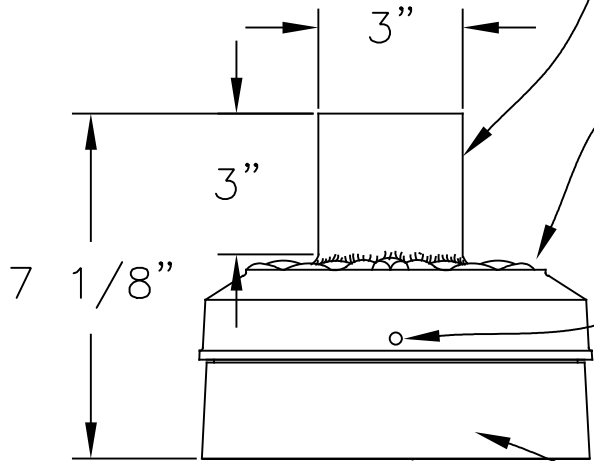


1 3/8" DIA. WIREWAY HOLE.

8" DIA.

3" DIA. X .125" WALL ALUM. TUBING WELDED TO BASE.

CAST ALUMINUM 2 PIECE DECORATIVE BASE (MOISTURE PROOF)

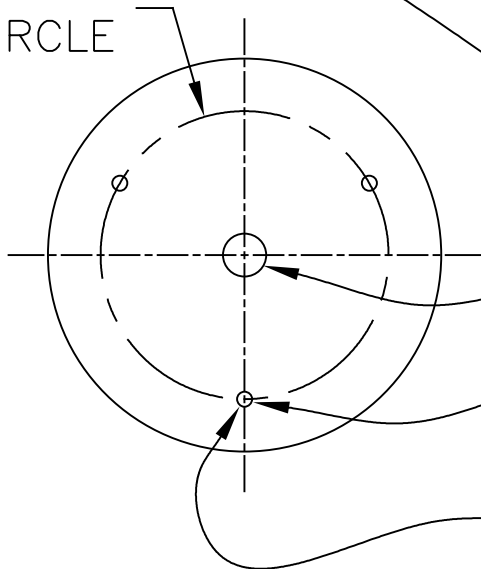


(3) 1/4-20 BRASS R.H.M.S. SECURE BASES TOGETHER.

BALLAST MOUNTED INSIDE BASE. (CONTACT FACTORY FOR BALLAST AVAILABILITY)

CONTRACTOR MUST CAULK THIS AREA.

6" DIA. BOLT CIRCLE



7/8" DIA. SUPPLY HOLE.

(3) 5/16" DIA. HOLES 120 DEG. AROUND.

(3) 1/4" LAG BOLTS AND SHIELDS SUPPLIED.

Drawing for illustration only - scale approximate

APPROVAL SIGNATURE:

FINISH: _____
 PANELS: _____
 SOCKET: _____
 MEDIUM MOGUL

BALLAST: Mercury Vapor
 Metal Halide
 High Pressure Sodium
 WATTAGE: _____
 VOLTAGE: _____
 POWER FACTOR: NPF HPF

	425 E. MIDDLE ST. HANOVER PA 17331 PH: (717) 632-6464 - FAX: (717) 969-2930	
	SCALE: 1=4	DATE: 08/21/97
DWG BY: TLS	DWG. NO. 453	

TITLE:
 H.I.D. DECORATIVE PIER BASE

HEIGHT 7 1/8"
 WIDTH 8" DIA.
 PROJECTION XXXXXX
 TOP TO OUTLET XXXXXX