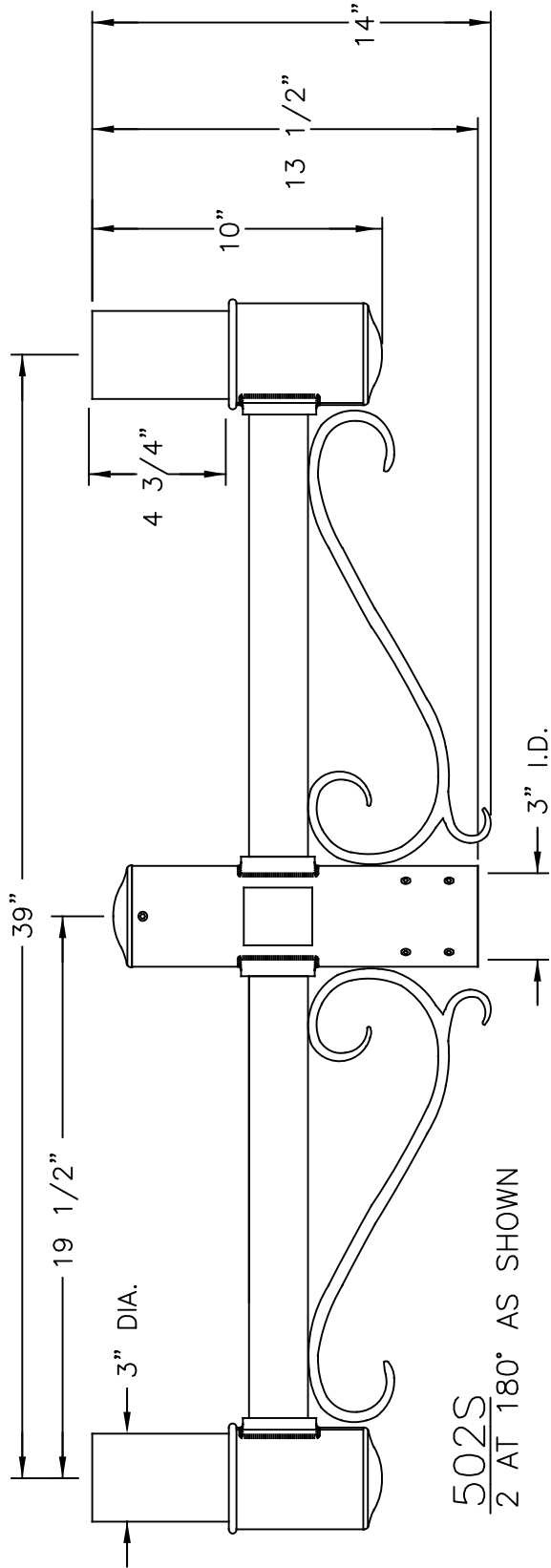


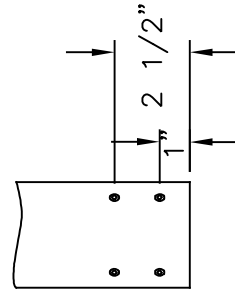
BRACKET ASS'Y	501S	502S	503S
HEIGHT	14"	14"	21 1/2"
WIDTH	23 1/2"	43"	43"
PROJECTION			
TOP TO OUTLET			



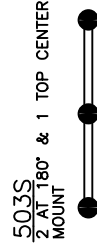
502S
2 AT 180° AS SHOWN

BRACKET ASSEMBLY AS SHOWN ABOVE CONSISTS OF CAST ALUMINUM BRACKET ENDS W/ CAST BOTTOM CAPS, CAST ALUMINUM SCROLLS, CAST ALUMINUM CENTER HUB W/ REMOVABLE CAST ALUMINUM CAP, 2" X 1/8" WALL ALUMINUM RECTANGULAR EXTRUDED HORIZONTAL ARMS, WELDED INTERNAL CONSTRUCTION, 11 EA. 5/16-18 S.ST'L SET SCREWS SUPPLIED FOR SECURING ASSEMBLY TO POST TOP & SECURING CENTER TOP CAP TO CENTER HUB.

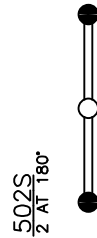
NOTE: WHEN CENTER MOUNT LANTERN IS SPECIFIED, 1 PC. OF 3" DIA. X .125" WALL X 12" LG. ALUMINUM TUBING SUPPLIED INSTEAD OF TOP CAP. TUBING PROTRUDES OUT OF CENTER HUB 8".



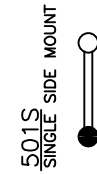
SET SCREW
LOCATION TYP.
4 SETS 90° AROUND



503S
2 AT 180° & 1 TOP CENTER
MOUNT



502S
2 AT 180°



501S
SINGLE SIDE MOUNT

Drawing for illustration only - scale approximate

Hanover LANTERN
425 E. MIDDLE ST. HANOVER PA 17331
PH: (717) 632-6464 - FAX: (717) 699-2930

SCALE: 1=4 DATE: 07/28/99 DWG BY: BLL

TITLE:
POST TOP ACCESSORY
BRACKET ASSEMBLY

DWG. NO.
501S THRU 503S