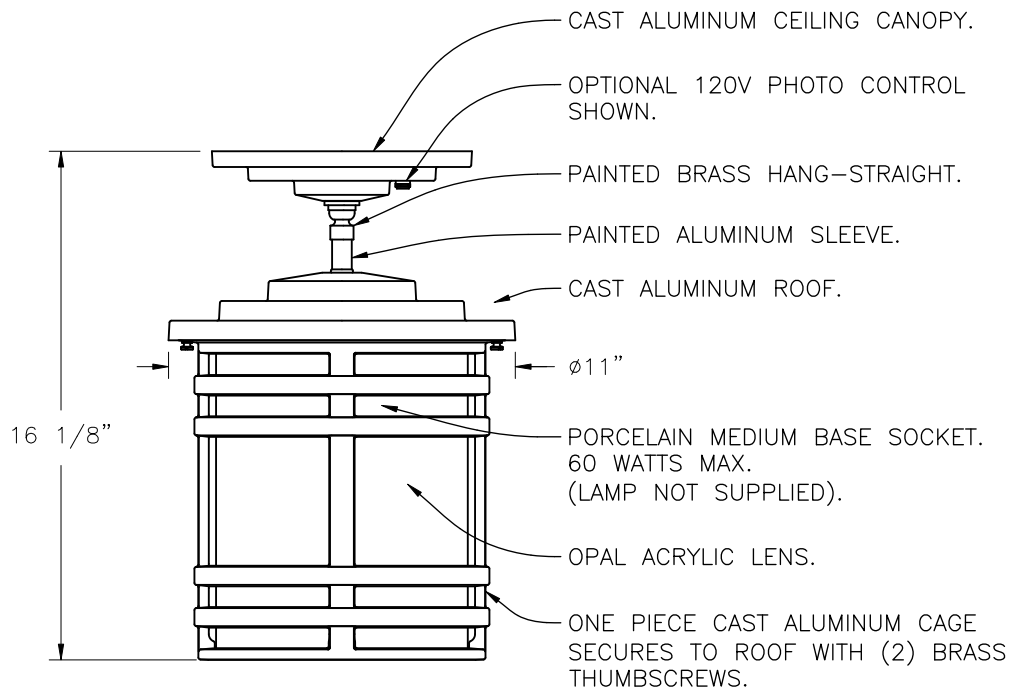


BOTTOM VIEW OF CEILING CANOPY



LANTERN WILL BE PREWIRED AND TESTED.
 ALL ELECTRICAL COMPONENTS ARE U.L. LISTED.
 ALL MOUNTING HARDWARE IS SUPPLIED.

REVISIONS:

--

Drawing for illustration only - scale approximate

		TITLE: "AERIAL" 55400 SERIES INCANDESCENT STEM HUNG LANTERN	
		PH: (717) 632-6464 - FAX: (717) 969-2930 WWW.HANOVERLANTERN.COM	
SCALE:	DATE:	DWG BY:	DWG. NO.
B4	08/18/21	ATV	B55421