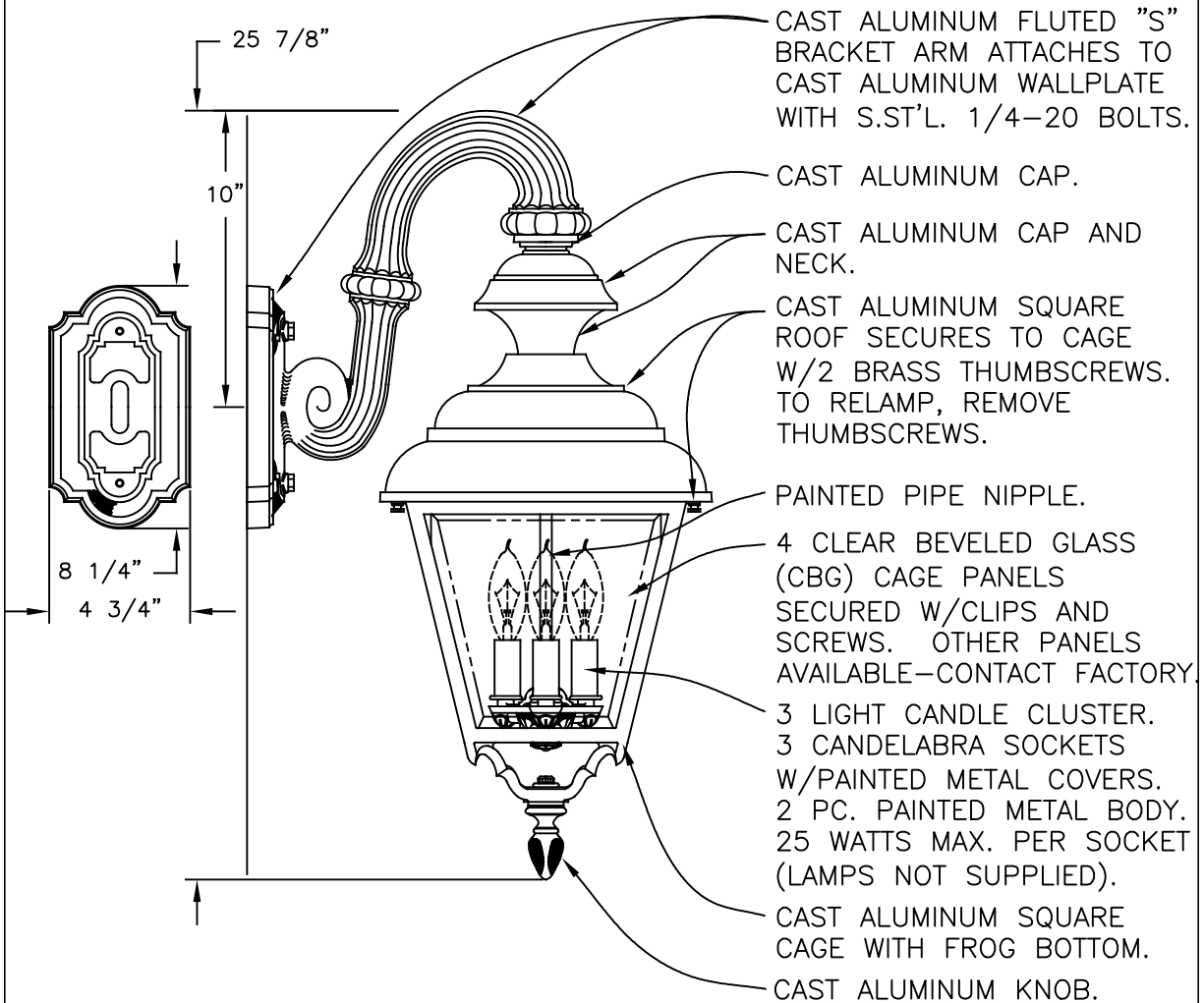


LANTERN TO BE ASSEMBLED AS SHOWN IN TOP VIEW—MOUNTED ACROSS FLATS.



- CAST ALUMINUM FLUTED "S" BRACKET ARM ATTACHES TO CAST ALUMINUM WALLPLATE WITH S.ST'L. 1/4-20 BOLTS.
- CAST ALUMINUM CAP.
- CAST ALUMINUM CAP AND NECK.
- CAST ALUMINUM SQUARE ROOF SECURES TO CAGE W/2 BRASS THUMBSCREWS. TO RELAMP, REMOVE THUMBSCREWS.
- PAINTED PIPE NIPPLE.
- 4 CLEAR BEVELED GLASS (CBG) CAGE PANELS SECURED W/CLIPS AND SCREWS. OTHER PANELS AVAILABLE—CONTACT FACTORY.
- 3 LIGHT CANDLE CLUSTER. 3 CANDELABRA SOCKETS W/PAINTED METAL COVERS.
- 2 PC. PAINTED METAL BODY.
- 25 WATTS MAX. PER SOCKET (LAMPS NOT SUPPLIED).
- CAST ALUMINUM SQUARE CAGE WITH FROG BOTTOM.
- CAST ALUMINUM KNOB.

LANTERN IS PREWIRED AND TESTED.
ALL ELECTRICAL COMPONENTS ARE U.L. LISTED.
ALL MOUNTING HARDWARE IS SUPPLIED.

HEIGHT	25 7/8"
WIDTH	11 1/4"
PROJECTION	15 5/8"
TOP TO OUTLET	10"

Drawing for illustration only — scale approximate

Hanover
LANTERN

425 E. MIDDLE ST. HANOVER, PA 17331
PH: (717) 632-6464 - FAX: (717) 669-2630

SCALE: 1=4 DATE: 02/01/05 DWG BY: JEK

TITLE: PLYMOUTH"
9600 SERIES
WALL BRACKET
LANTERN

DWG. NO. B96FRM