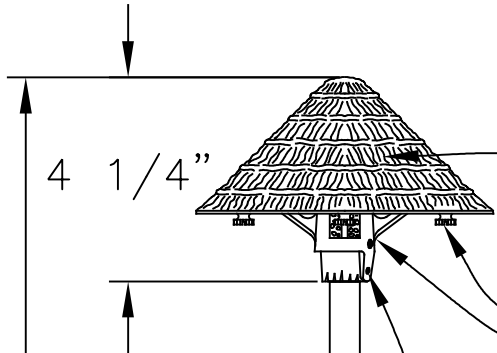


CAST ALUMINUM DECORATIVE COOLIE CAP.



WEDGE BASE SOCKET WITH 18 WATT LAMP AND 4 FEET OF #18-2 LOW VOLTAGE CABLE SUPPLIED.

CAST ALUMINUM SPIDER BRACKET SECURED TO CAP WITH (3) 8-32 BRASS THUMBSCREWS. TO RELAMP, REMOVE THUMBSCREWS AND COOLIE CAP.

1/4-20 S.ST'L. SET SCREW SECURES FIXTURE TO GARDEN PIPE.

5/8" DIA. X .065" WALL X 18" LG. ALUMINUM TUBING.

8 1/2" LONG LOW VOLTAGE BLACK ABS FEMALE GROUND SPIKE WITH #8 S.ST'L. SCREW.

LOW VOLTAGE CABLE CONNECTOR TO BE USED WITH HANOVER LANTERN #10, #12, #14, OR #18 LOW VOLTAGE CABLE.

LANTERN WILL BE PREWIRED AND TESTED. ELECTRICAL COMPONENTS ARE U.L. LISTED. ALL MOUNTING HARDWARE SUPPLIED.

Drawing for illustration only - scale approximate

20 7/8"

8 1/2"

HEIGHT	20 7/8"
WIDTH	6 1/4" D
PROJECTION	
TOP TO OUTLET	



TITLE: TERRALIGHT COOLIE CAP LOW VOLTAGE FIXTURE

SCALE: 1=4	DATE: 08/02/02	DWG BY: JEK
------------	----------------	-------------

DWG. NO. LVW133